

**Keybus-** The 4-wire Keybus connection is used by the panel to communicate with the module. Connect the RED, BLK, YEL and GRN terminals to the RED, BLK, YEL and GRN Keybus terminals on the PC5020 control panel.

## PC5200 Jumper Settings

The PC5200 has 2 jumpers; to select which PC5200 slot is to be used refer to the table below.

**Table 2**

SLOT	J1	J2
PC5200 1	OFF	OFF
PC5200 2	ON	OFF
PC5200 3	OFF	ON
PC5200 4	ON	ON

## Limited Warranty

Digital Security Controls Ltd. warrants that for a period of 12 months from the date of purchase, the product shall be free of defects in materials and workmanship under normal use and that in fulfillment of any breach of such warranty, Digital Security Controls Ltd. shall, at its option, repair or replace the defective equipment upon return of the equipment to its factory. This warranty applies only to defects in parts and workmanship and not to damage incurred in shipping or handling, or damage due to causes beyond the control of Digital Security Controls Ltd. such as lightning, excessive voltage, mechanical shock, water damage, or damage arising out of abuse, alteration or improper application of the equipment.

The foregoing warranty shall apply only to the original buyer, and is and shall be in lieu of any and all other warranties, whether expressed or implied and of all other obligations or liabilities on the part of Digital Security Controls Ltd. This warranty contains the entire warranty. Digital Security Controls Ltd. neither assumes responsibility for, nor authorizes any other person purporting to act on its behalf to modify or to change this warranty, nor to assume for it any other warranty or liability concerning this product.

In no event shall Digital Security Controls Ltd. be liable for any direct or indirect or consequential damages, loss of anticipated profits, loss of time or any other losses incurred by the buyer in connection with the purchase, installation or operation or failure of this product.

**WARNING:** Digital Security Controls Ltd. recommends that the entire system be completely tested on a regular basis. However, despite frequent testing, and due to, but not limited to, criminal tampering or electrical disruption, it is possible for this product to fail to perform as expected.

## FCC COMPLIANCE STATEMENT

**CAUTION:** Changes or modifications not expressly approved by Digital Security Controls Ltd. could void your authority to use this equipment.

This equipment generates and uses radio frequency energy and if not installed and used properly, in strict accordance with the manufacturer's instructions, may cause interference to radio and television reception. It has been type tested and found to comply with the limits for Class B device in accordance with the specifications in Subpart "B" of Part 15 of FCC Rules, which are designed to provide reasonable protection against such interference in any residential installation. However, there is no guarantee that interference will not occur in a particular installation. If this equipment does cause interference to television or radio reception, which can be determined by turning the equipment off and on, the user is encouraged to try to correct the interference by one or more of the following measures:

- Re-orient the receiving antenna
- Relocate the alarm control with respect to the receiver
- Move the alarm control away from the receiver
- Connect the alarm control into a different outlet so that alarm control and receiver are on different circuits.

If necessary, the user should consult the dealer or an experienced radio/television technician for additional suggestions. The user may find the following booklet prepared by the FCC useful: "How to Identify and Resolve Radio/Television Interference Problems". This booklet is available from the U.S. Government Printing Office, Washington D.C. 20402, Stock # 004-000-00345-4.



©2002 Digital Security Controls Ltd.  
 Toronto, Canada • [www.dsc.com](http://www.dsc.com)  
 Technical Support: 1-800-387-3630  
 Printed in Canada 29005251 R004

Direct all comments concerning this publication to [pubs@dscilt.com](mailto:pubs@dscilt.com)

# Installation Instructions

The PC5200 can be used to provide up to 1.0A of additional current to the PC5020 control panel (see PC5020 *Installation Manual* for complete installation instructions). The PC5020 v3.1 or higher supports up to four PC5200 modules.

## Specifications

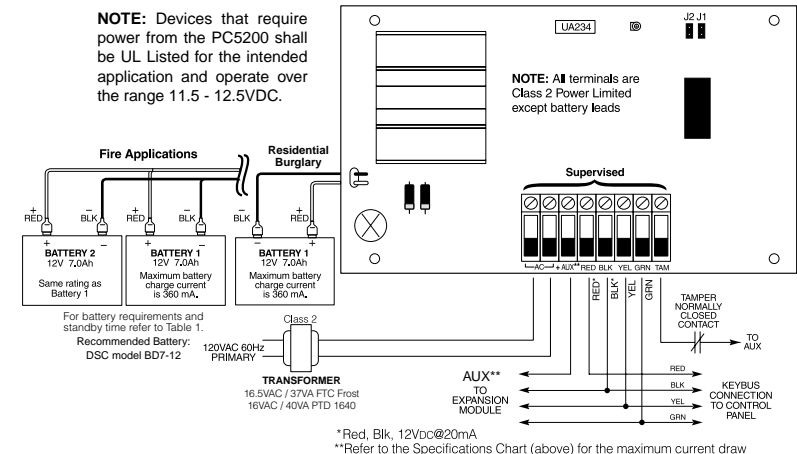
**Table 1**

PC5200 Current Draw 20mA	Residential		Commercial	
	Burglary	Fire	Burglary	Fire
Max. Aux Current Draw @12VDC	1A	550mA	1A	550mA
Transformer Requirements	16V, 40VA	16V, 40VA	16V, 40VA	16.5V, 37VA
Battery Requirements	7Ah min	14Ah min (2x7Ah)	7Ah min	14Ah min (2x7Ah)
UL Listed Enclosures	PC500C	PC5003C (Household Fire & Burglary)	CMC-1 PC4050CAR	PC4050CRAR (Commercial fire & burglary)
Standby Time (min.)	4hours	24hours	4hours	24hours

## Compatible Panel - PC5020

## Terminal Descriptions

**NOTE:** Devices that require power from the PC5200 shall be UL Listed for the intended application and operate over the range 11.5 - 12.5VDC.



**AC - Supervised,** the PC5200 requires a 16.5V/37VA or 16V/40VA transformer. Connect primary of the transformer to an unswitched AC source (maximum current draw 0.5A) and connect the secondary of the transformer to these terminals.

**AUX+ -** This terminal is used to provide power for expansion modules & devices. Please refer to Table 1 for maximum rating.

**TAM -** This can be used to tamper the cabinet in which the PC5200 is mounted. Connect a normally closed (NC) switch across TAM and BLK. If the tamper is not being used connect a piece of wire across TAM and BLK to secure the tamper, this prevents a trouble condition from occurring.



PC5200 v2.0  
 Power Supply Module

**Keybus-** The 4-wire Keybus connection is used by the panel to communicate with the module. Connect the RED, BLK, YEL and GRN terminals to the RED, BLK, YEL and GRN Keybus terminals on the PC5020 control panel.

## PC5200 Jumper Settings

The PC5200 has 2 jumpers; to select which PC5200 slot is to be used refer to the table below.

**Table 2**

SLOT	J1	J2
PC5200 1	OFF	OFF
PC5200 2	ON	OFF
PC5200 3	OFF	ON
PC5200 4	ON	ON

## Limited Warranty

Digital Security Controls Ltd. warrants that for a period of 12 months from the date of purchase, the product shall be free of defects in materials and workmanship under normal use and that in fulfillment of any breach of such warranty, Digital Security Controls Ltd. shall, at its option, repair or replace the defective equipment upon return of the equipment to its factory. This warranty applies only to defects in parts and workmanship and not to damage incurred in shipping or handling, or damage due to causes beyond the control of Digital Security Controls Ltd. such as lightning, excessive voltage, mechanical shock, water damage, or damage arising out of abuse, alteration or improper application of the equipment.

The foregoing warranty shall apply only to the original buyer, and is and shall be in lieu of any and all other warranties, whether expressed or implied and of all other obligations or liabilities on the part of Digital Security Controls Ltd. This warranty contains the entire warranty. Digital Security Controls Ltd. neither assumes responsibility for, nor authorizes any other person purporting to act on its behalf to modify or to change this warranty, nor to assume for it any other warranty or liability concerning this product.

In no event shall Digital Security Controls Ltd. be liable for any direct or indirect or consequential damages, loss of anticipated profits, loss of time or any other losses incurred by the buyer in connection with the purchase, installation or operation or failure of this product.

**WARNING:** Digital Security Controls Ltd. recommends that the entire system be completely tested on a regular basis. However, despite frequent testing, and due to, but not limited to, criminal tampering or electrical disruption, it is possible for this product to fail to perform as expected.

## FCC COMPLIANCE STATEMENT

**CAUTION:** Changes or modifications not expressly approved by Digital Security Controls Ltd. could void your authority to use this equipment.

This equipment generates and uses radio frequency energy and if not installed and used properly, in strict accordance with the manufacturer's instructions, may cause interference to radio and television reception. It has been type tested and found to comply with the limits for Class B device in accordance with the specifications in Subpart "B" of Part 15 of FCC Rules, which are designed to provide reasonable protection against such interference in any residential installation. However, there is no guarantee that interference will not occur in a particular installation. If this equipment does cause interference to television or radio reception, which can be determined by turning the equipment off and on, the user is encouraged to try to correct the interference by one or more of the following measures:

- Re-orient the receiving antenna
- Relocate the alarm control with respect to the receiver
- Move the alarm control away from the receiver
- Connect the alarm control into a different outlet so that alarm control and receiver are on different circuits.

If necessary, the user should consult the dealer or an experienced radio/television technician for additional suggestions. The user may find the following booklet prepared by the FCC useful: "How to Identify and Resolve Radio/Television Interference Problems". This booklet is available from the U.S. Government Printing Office, Washington D.C. 20402, Stock # 004-000-00345-4.



©2002 Digital Security Controls Ltd.  
 Toronto, Canada • [www.dsc.com](http://www.dsc.com)  
 Technical Support: 1-800-387-3630  
 Printed in Canada 29005251 R004

Direct all comments concerning this publication to [pubs@dscltd.com](mailto:pubs@dscltd.com)

# Installation Instructions

The PC5200 can be used to provide up to 1.0A of additional current to the PC5020 control panel (see PC5020 *Installation Manual* for complete installation instructions). The PC5020 v3.1 or higher supports up to four PC5200 modules.

## Specifications

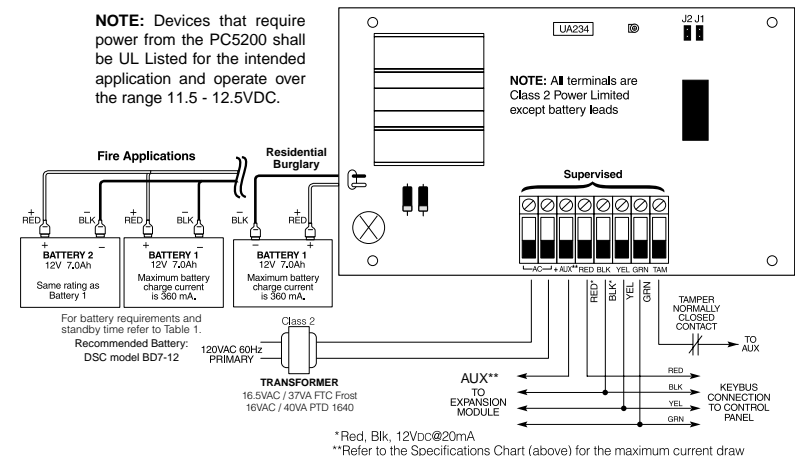
**Table 1**

PC5200 Current Draw 20mA	Residential		Commercial	
	Burglary	Fire	Burglary	Fire
Max. Aux Current Draw @12VDC	1A	550mA	1A	550mA
Transformer Requirements	16V, 40VA	16V, 40VA	16V, 40VA	16.5V, 37VA
Battery Requirements	7Ah min	14Ah min (2x7Ah)	7Ah min	14Ah min (2x7Ah)
UL Listed Enclosures	PC500C	PC5003C (Household Fire & Burglary)	CMC-1 PC4050CAR	PC4050CR PC4050CRAR (Commercial fire & burglary)
Standby Time (min.)	4hours	24hours	4hours	24hours

## Compatible Panel - PC5020

## Terminal Descriptions

**NOTE:** Devices that require power from the PC5200 shall be UL Listed for the intended application and operate over the range 11.5 - 12.5VDC.



**AC - Supervised,** the PC5200 requires a 16.5V/37VA or 16V/40VA transformer. Connect primary of the transformer to an unswitched AC source (maximum current draw 0.5A) and connect the secondary of the transformer to these terminals.

**AUX+** - This terminal is used to provide power for expansion modules & devices. Please refer to Table 1 for maximum rating.

**TAM** - This can be used to tamper the cabinet in which the PC5200 is mounted. Connect a normally closed (NC) switch across TAM and BLK. If the tamper is not being used connect a piece of wire across TAM and BLK to secure the tamper, this prevents a trouble condition from occurring.



PC5200 v2.0  
 Power Supply Module